

# FREE CONVECTION

Thermal analysis

# System analysed

Heat sink = extruded profile, dimensions 282x114.9x160 mm

Surface finishing = raw

Heat sink position = vertical

Applied power = 26 W

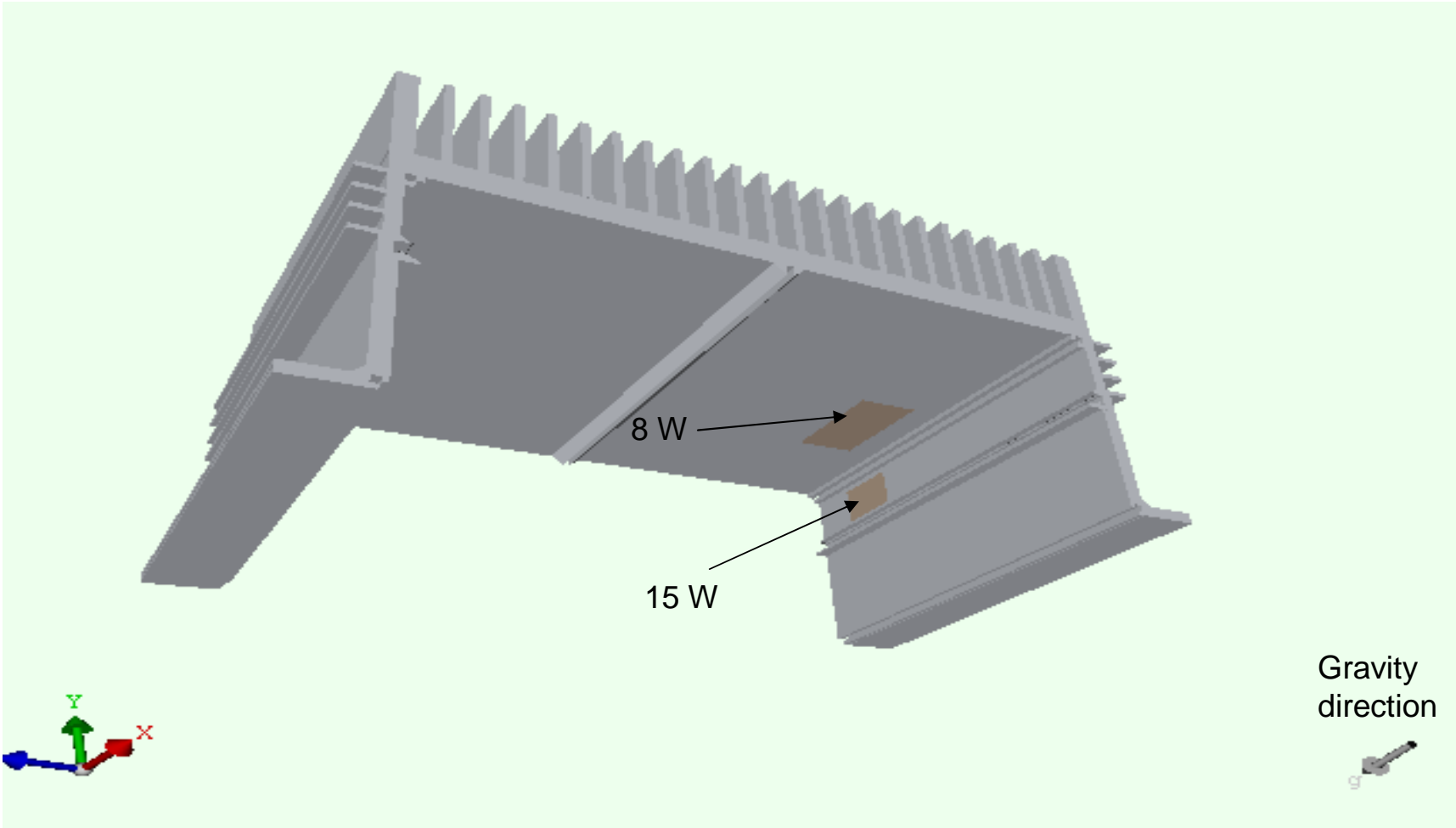
Convection = natural

Surrounding ambient temperature = 70 °C

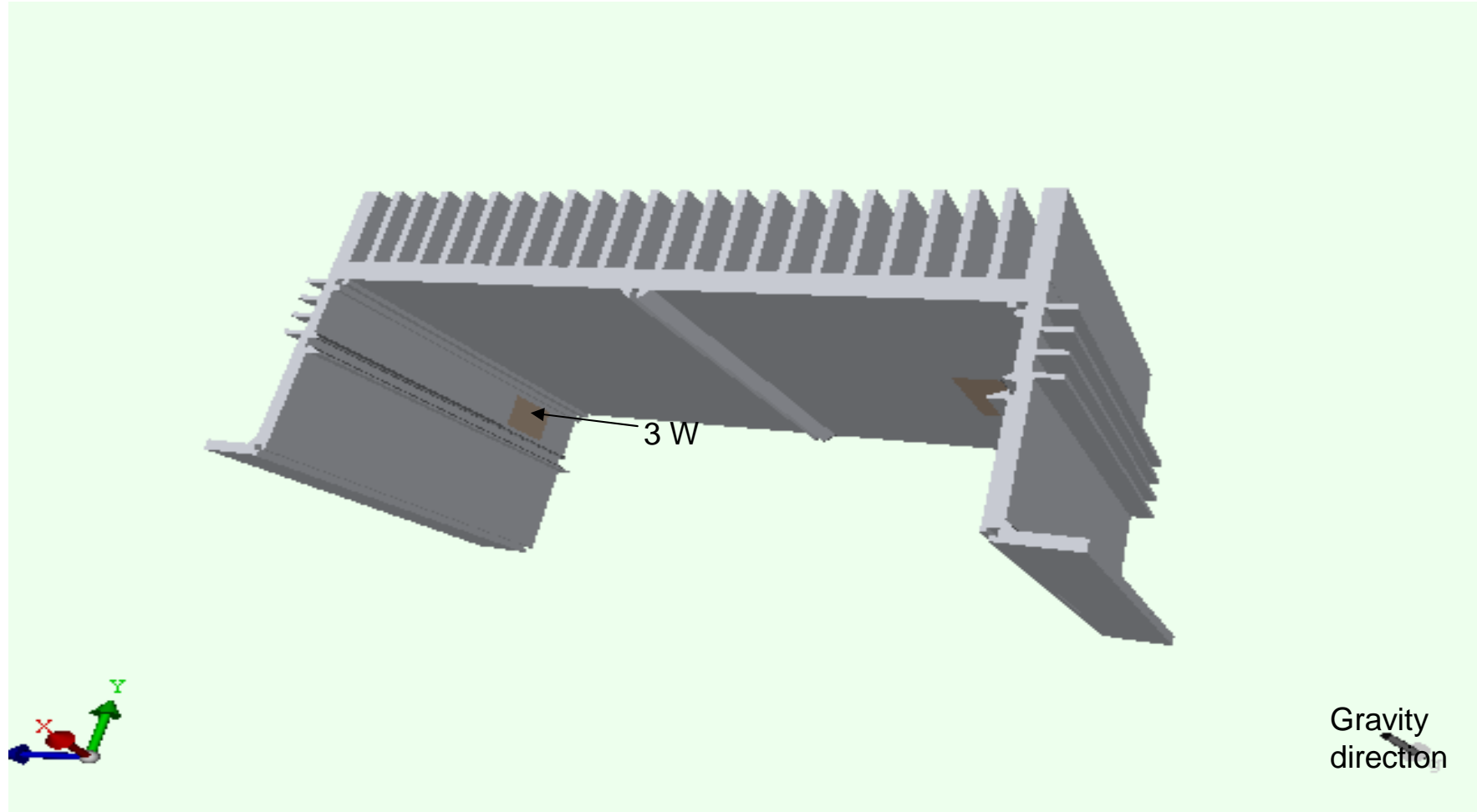
## Result

Maximum temperature on the heat sink = 97 °C

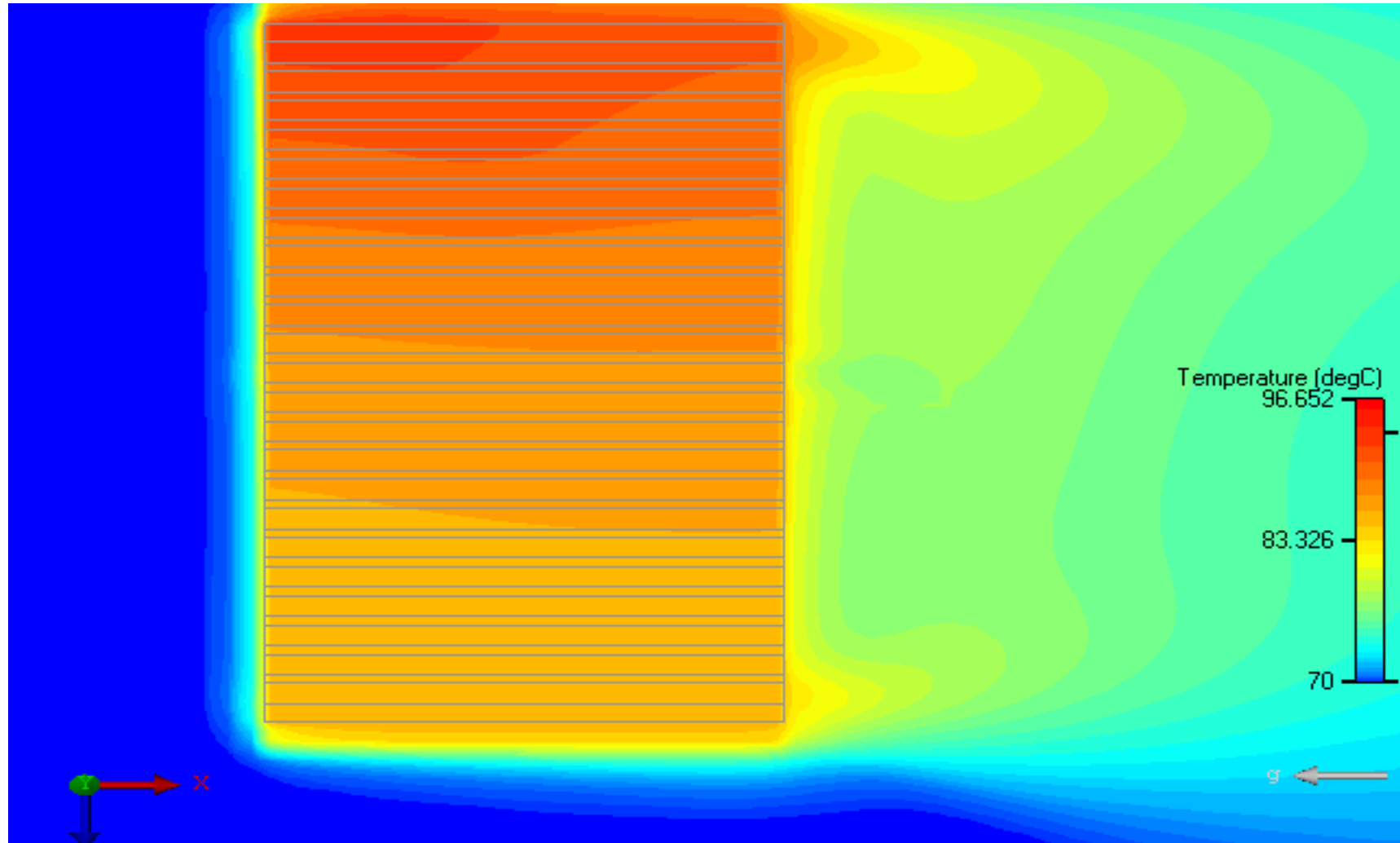
# 3D model



# 3D model



# Temperature distribution on the heat sink base



# Temperature distribution on a section

