

FORCED CONVECTION

Thermal analysis

System analysed

Heat sink = LP6M 400/300

Applied power = 2250 W

Convection = forced with four axial fans in thrust

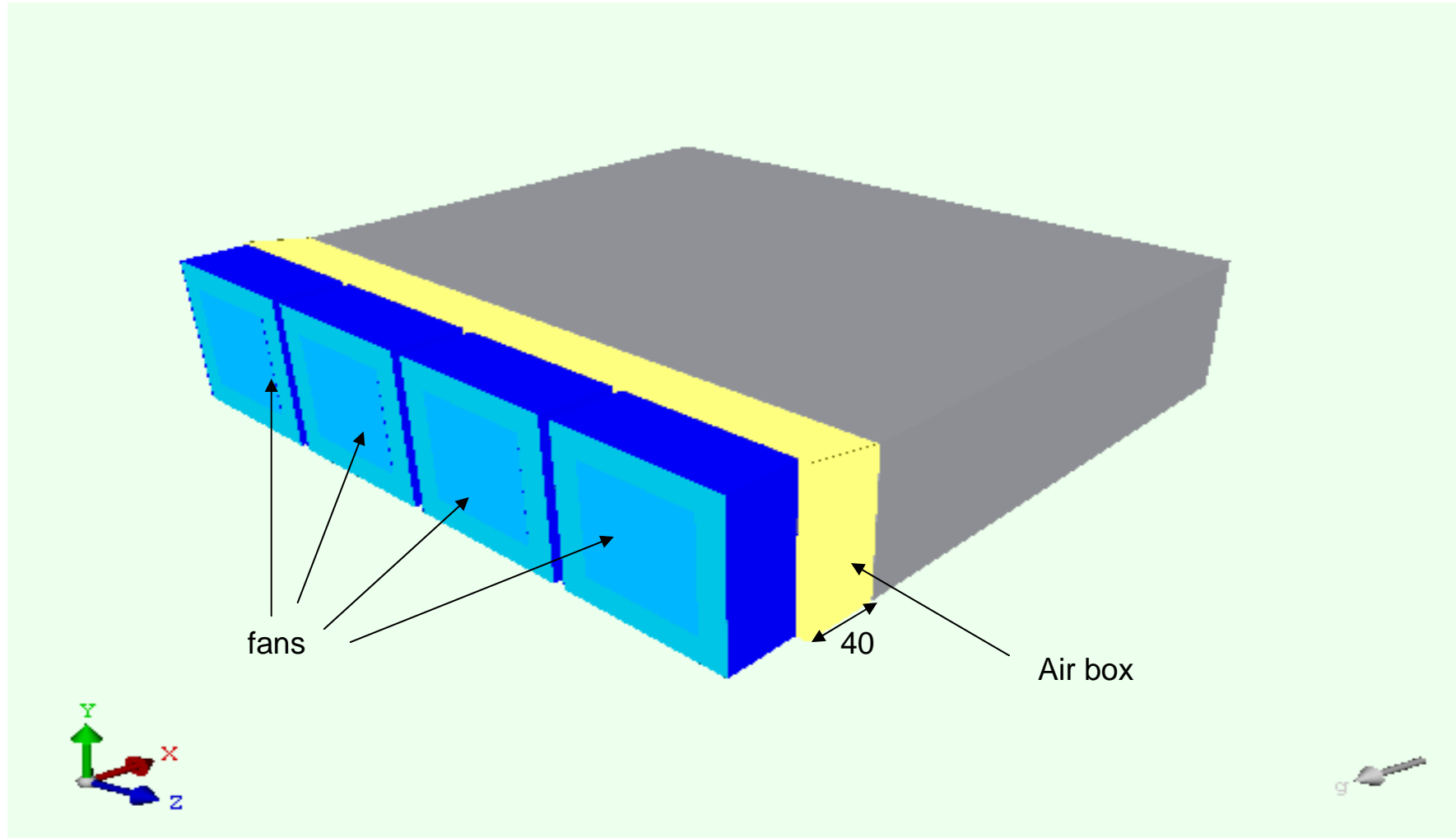
Surrounding ambient temperature = 50 °C

Results

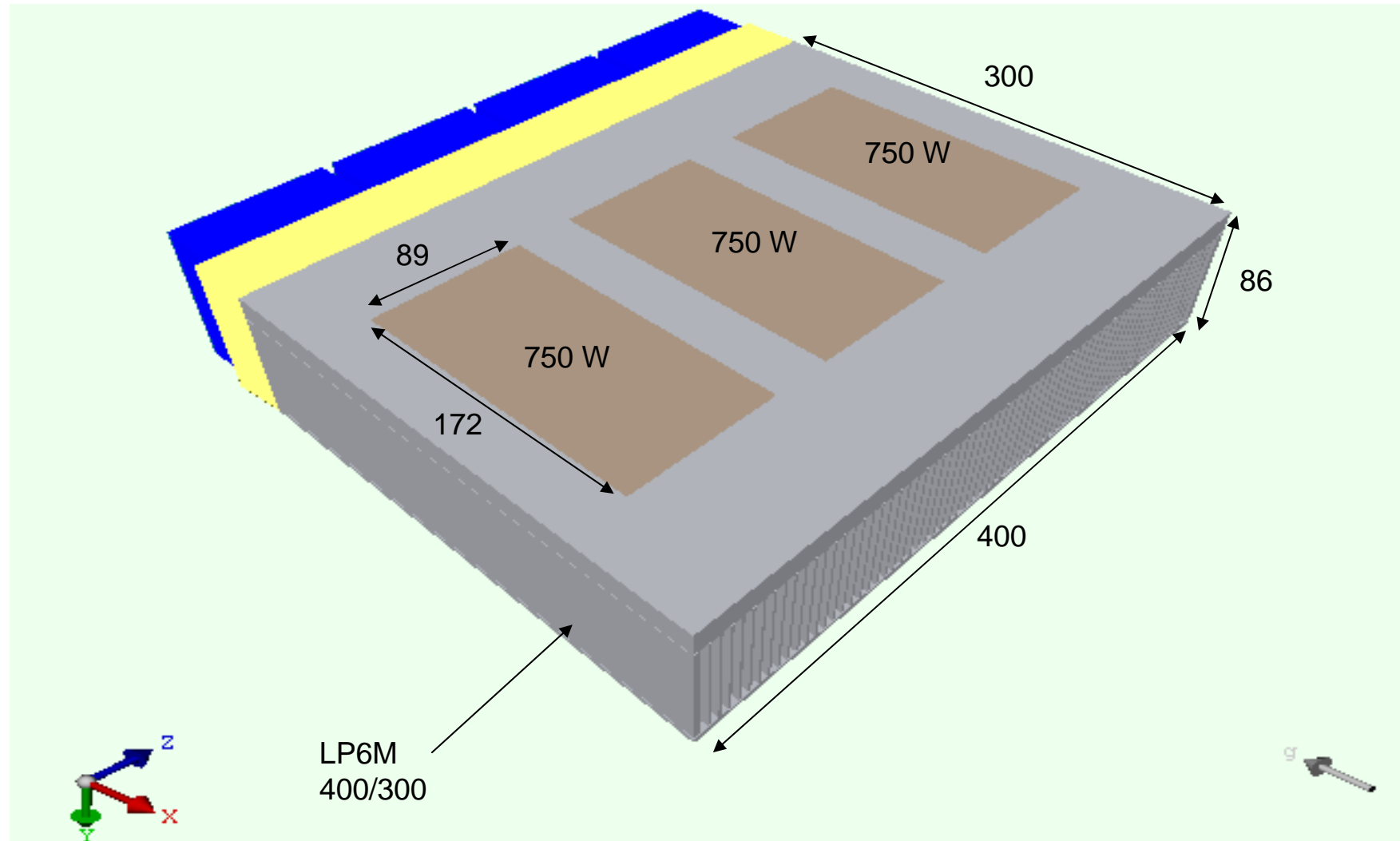
Maximum temperature on the heat sink = 94 °C

Fans working point = 58 Pa, 98 m³/h ---> Total air flow = 392 m³/h

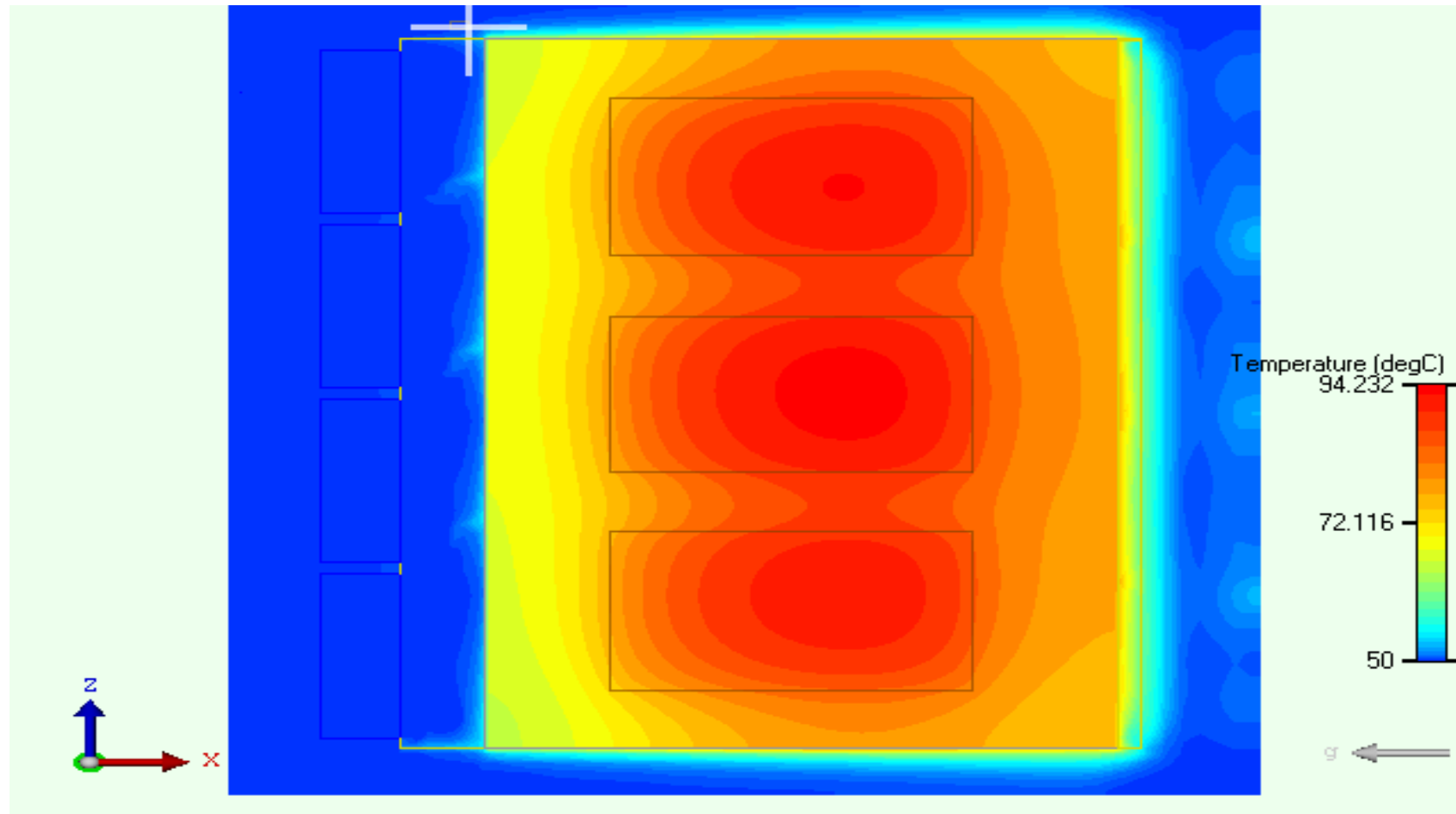
3D MODEL



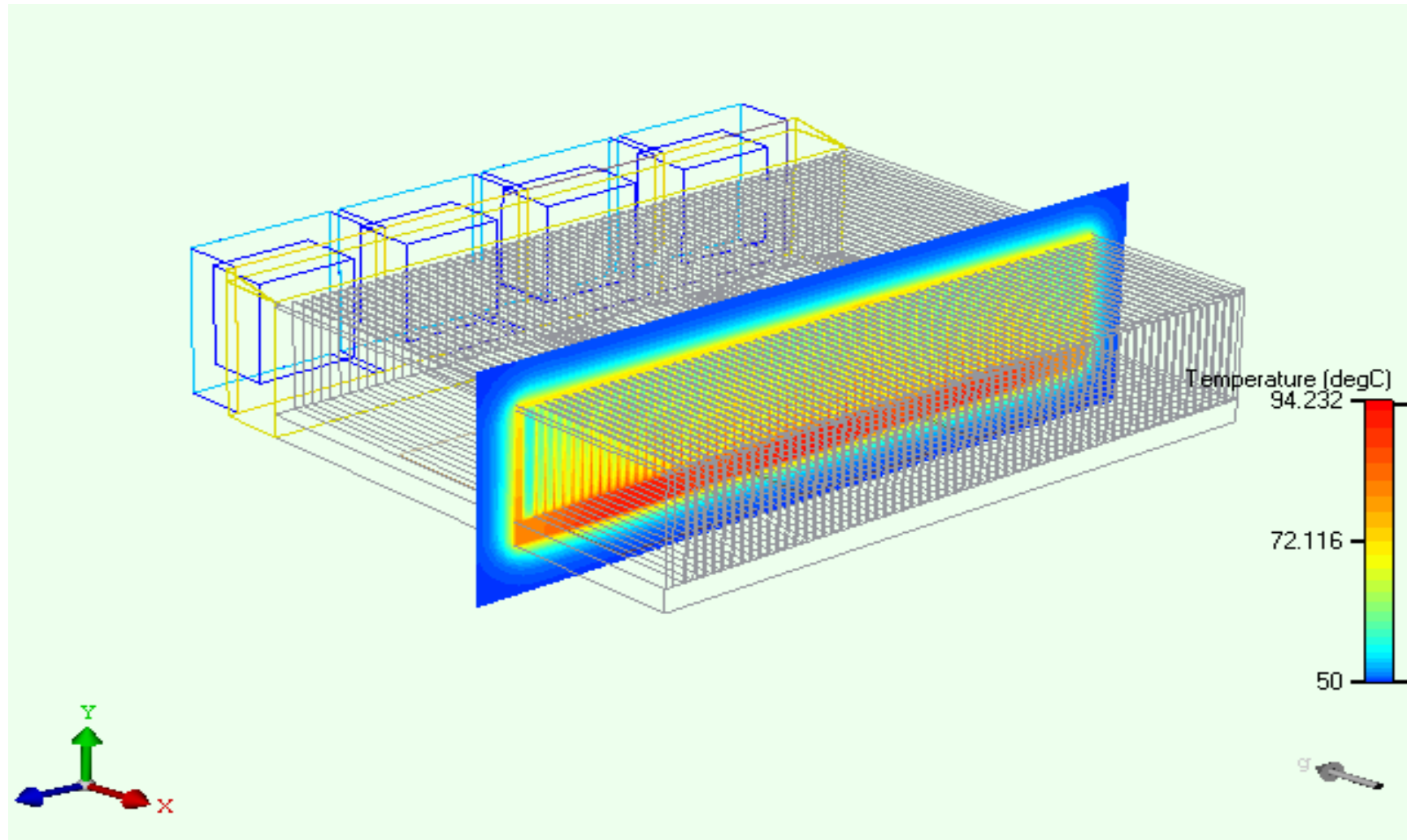
3D MODEL



Temperature distribution on the base



Temperature on a section



Temperature on a section

